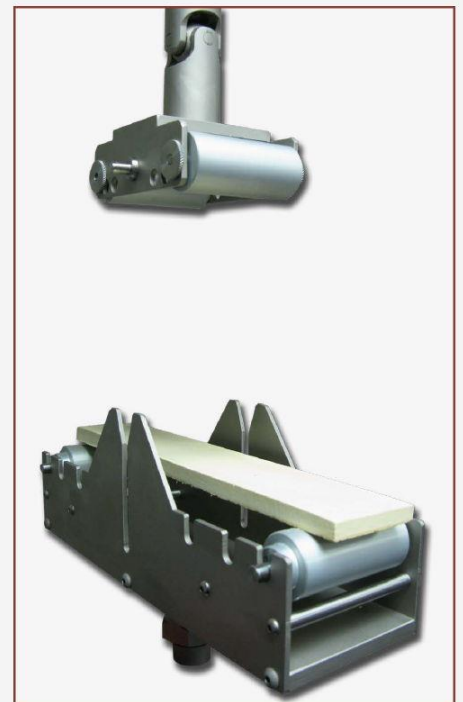
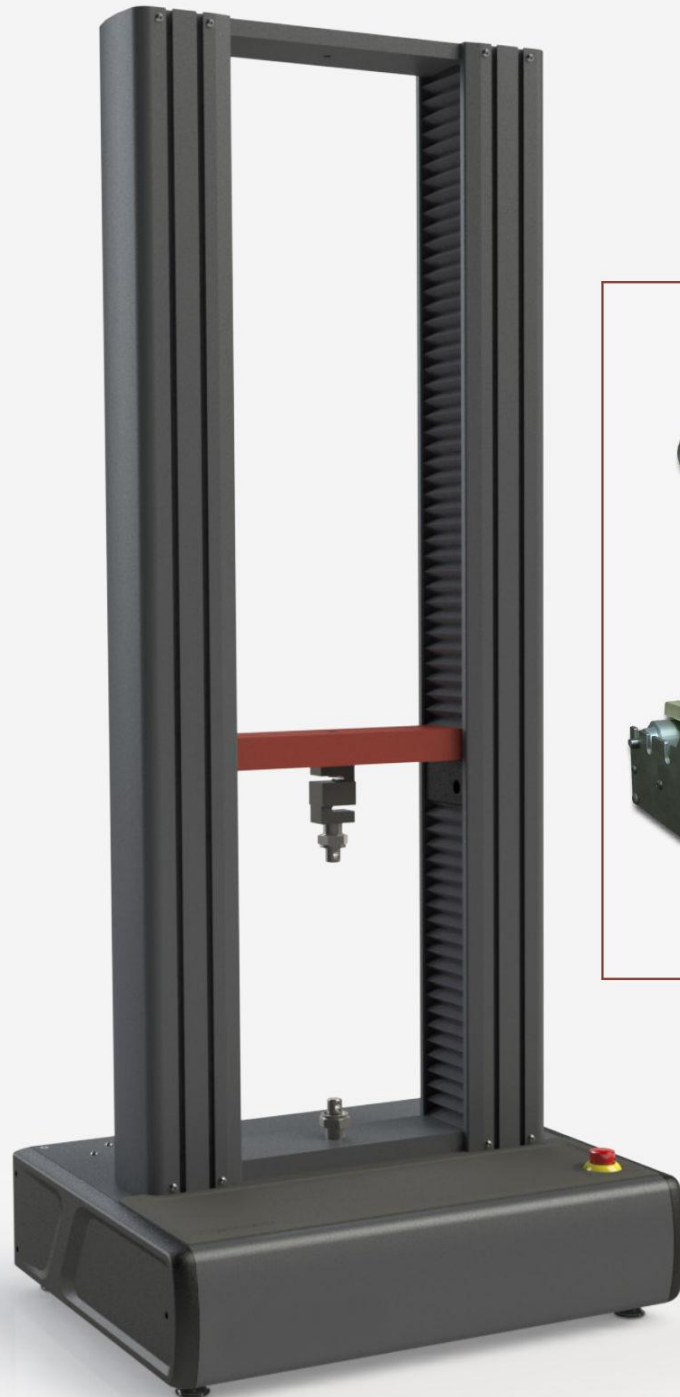


GRC Testing Equipment

Flexural Strength Test



POWER-SPRAYS

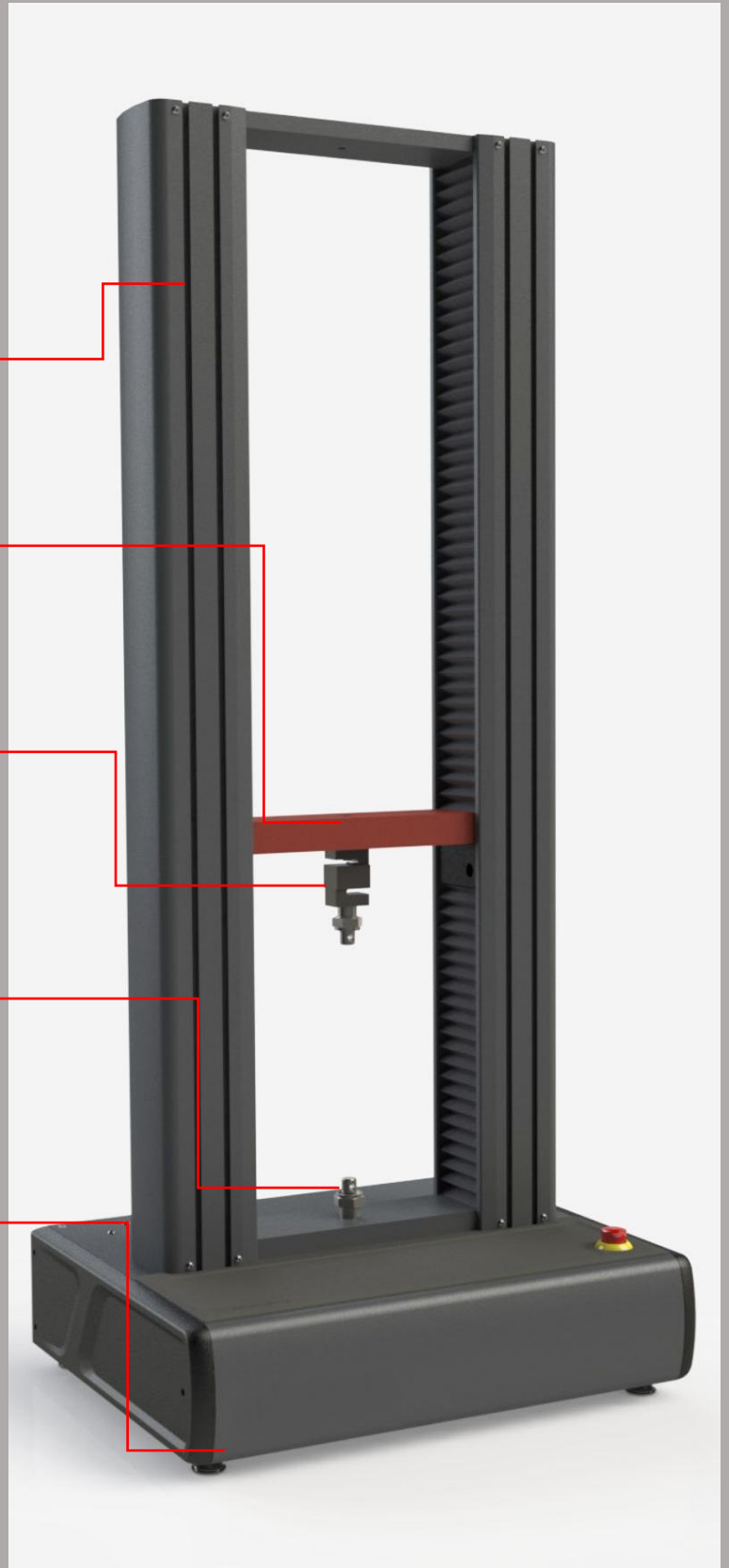
High stiffness loading frames

Precision crosshead control

High resolution 5kN load cell (10kN and 20kN also available)

Wide range of grips and fixtures available
(GRCBend 4-point fixture supplied as standard)

Small footprint design

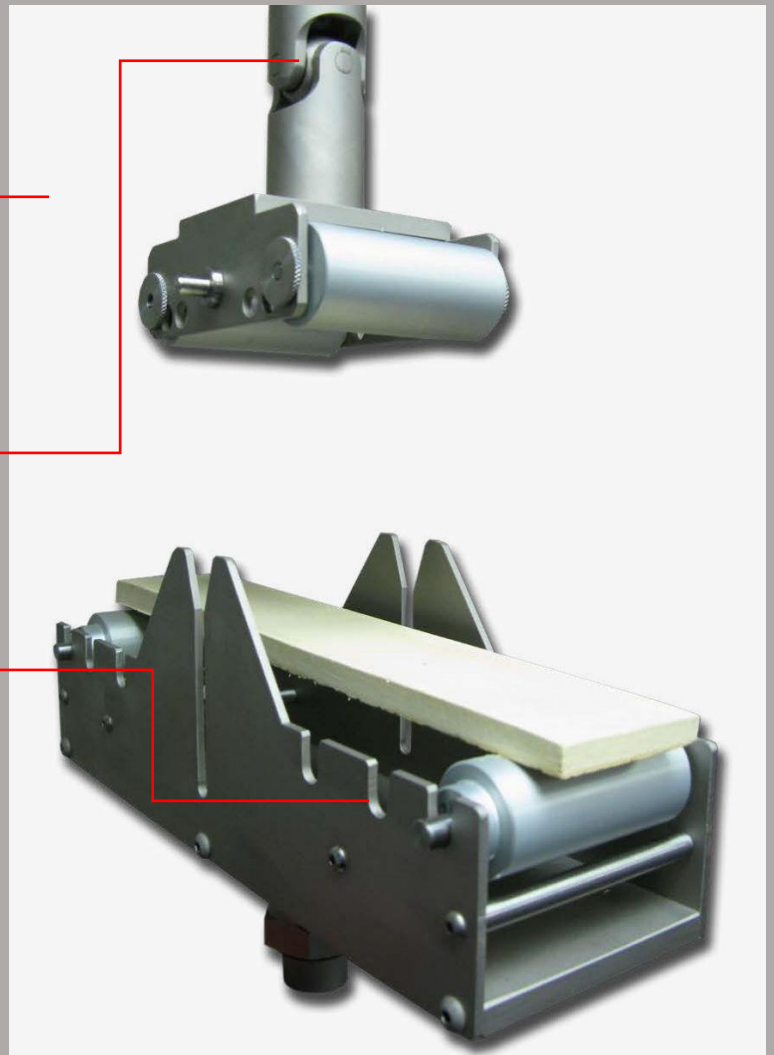


Adjustable 4-point fixture for GRC (Glassfibre Reinforced Concrete) supplied as standard

Rotating ball joint to ensure even distribution of load

Major spans of 135, 200, 250mm

Complies with EN 1170-5 and GRCA MOT Part 3

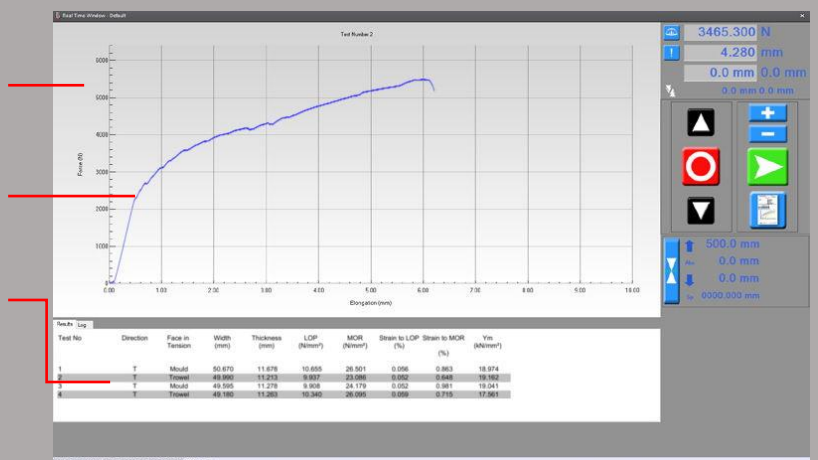


Easy to use winTest Analysis software included, pre-programmed with GRC test parameters (EN 1170-5, GRCA MOT Part 3)

Real time test data displayed

Results, including LOP, MOR and Young's Modulus, calculated automatically

Remote Connection included to check calibration and status of machine



The 4-point flexural test is the most important test for GRC, to verify the strength of the material. The dual-column, bench-mounted Testing Machine with full computer control and precision AC servo drive system is ideal for efficient testing of GRC coupons.

The Testing Machine features automatic recognition of load cells, with an instant calibration check facility, a crosshead guidance system providing precise alignment and smooth running, as well as overload, overtravel and impact protection.

The included GRCBend 4-point fixture complies with all international standards, including EN 1170-5 and GRCA Methods of Testing Part 3, with adjustable minor and major spans. It includes a rotating ball joint to ensure an even load distribution. Other test fixtures are available on request.

WinTest Analysis software is included; this easy to use, highly configurable software comes pre-programmed with a GRC test procedure. It also features customisable test calculations, user-defined machine control routines, and statistics summaries for each test report. Test reports are fully customisable, including job/client references, cast date, coupon references etc. Your company logo can be displayed on the header, and the report can be printed, or exported to pdf, Excel, Word or Access. A remote connection function is also included for diagnostics.

Specifications

Force Capacity	5kN standard (10kN and 20kN available)
Accuracy	Better than +/- 0.5% of reading down to 1/1000 th of load cell capacity
Minimum Speed	0.00001mm/min
Maximum Speed	2000mm/min
Weight	110kg (5kN model)
Dimensions	690mm wide x 530mm deep x 1582mm high
Electricity Supply	230V, single phase 50/60Hz
GRC Fixture Major Span	135mm, 200mm, 250mm (complies with EN 1170-5, GRCA MOT Part 3)
GRC Fixture Minor Span	45mm, 66.7mm, 83.3mm (complies with EN 1170-5, GRCA MOT Part 3)
System Requirements	PC running Windows 7, 8 or 10 (32 or 64 bit) 1 Free Ethernet connection (or USB with included adaptor) Broadband internet connection required for remote connection

Why Buy from Power-Sprays?

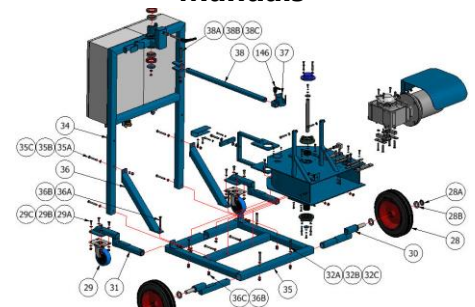
Support



Experience



Comprehensive Technical Manuals



Power-Sprays Ltd

Avonmouth Way, Bristol, BS11 9YA, UK

Tel: +44 (0)117 9820067 Fax: +44 (0)117 9820060

Email: info@power-sprays.co.uk Web: www.power-sprays.com

