

GRC125 Combination Mixer

For Spray and Premix GRC



POWER-SPRAYS

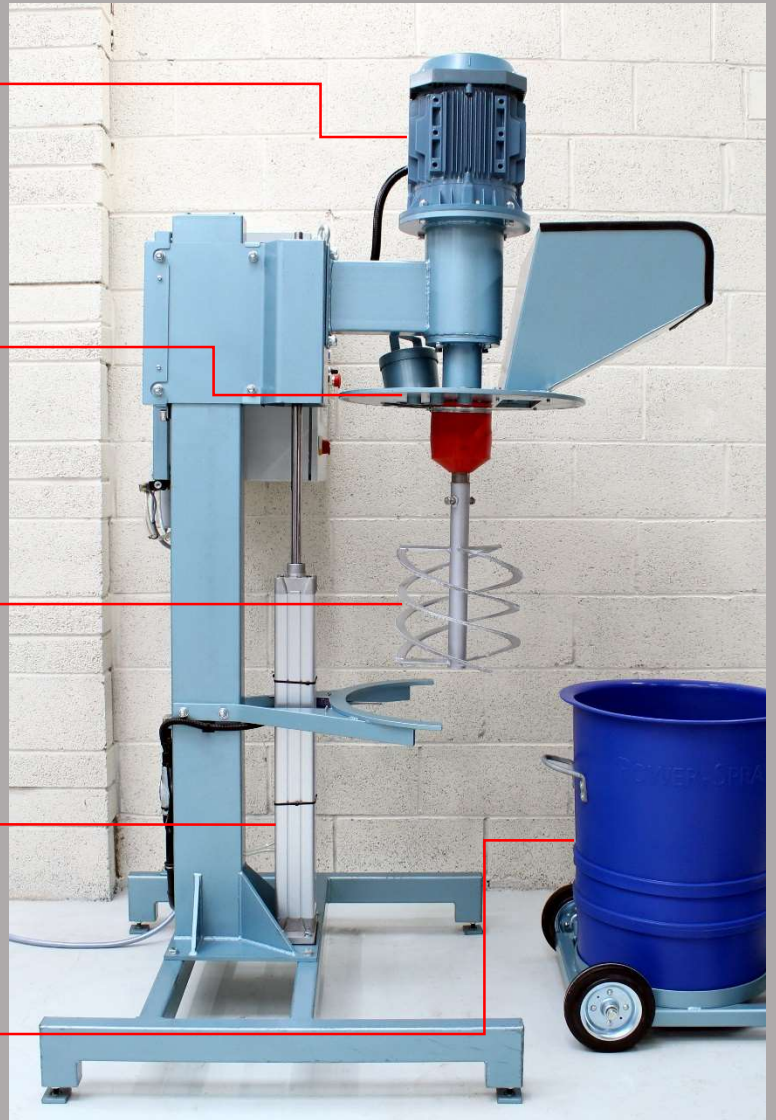
Powerful 9.2kW, IP55 rated motor, with variable speed control

Built-in liquid inlets for use with the WAAPS 3000 Liquid Dispensing System or Digital Water Meter

Unique helical blade, for efficient mixing of both hand-spray and premix GRC

Pneumatic air ram to raise/lower mixer

65L capacity mixing vessel – up to 125kg of GRC

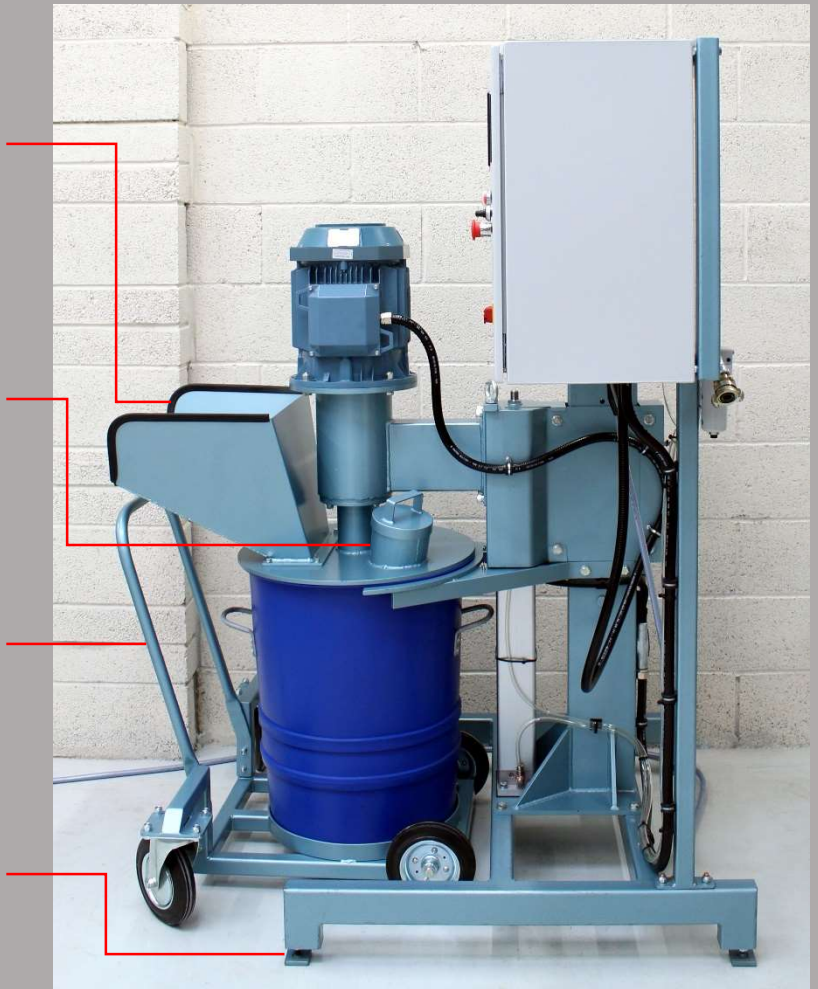


Large chute for dry materials. Includes a rubber bung to prevent dust/slurry escaping during mixing

Inspection hatch, to safely check the mixing process

Bucket trolley to easily move the mix around the factory

Adjustable feet to ensure mixer is at correct level (Bucket Trolley version only)

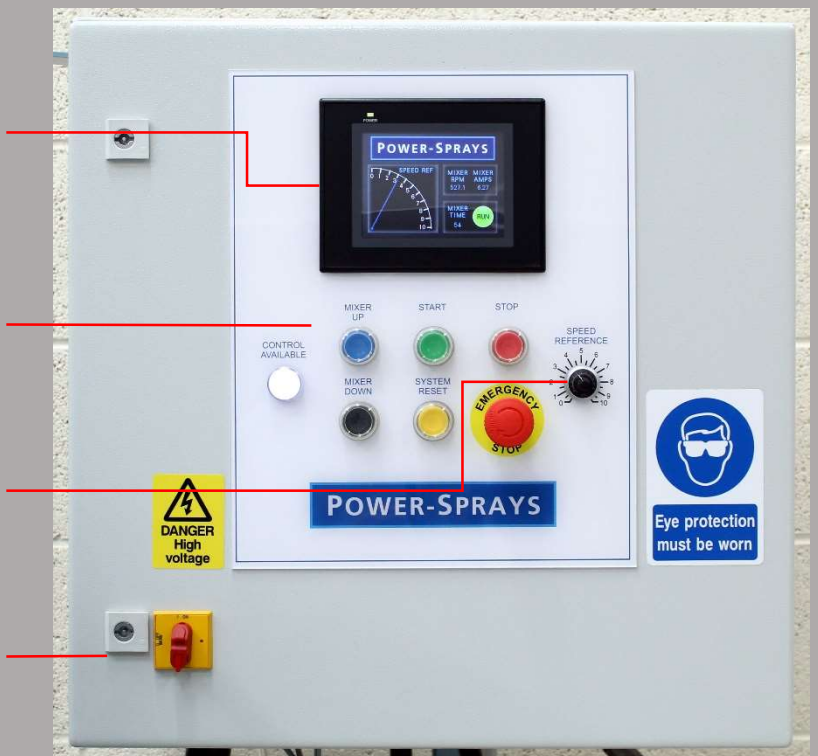


LCD screen with mixer speed reference, RPM, current and mix time

Simple, easy to use controls

Speed control via inverter

IP66 rated enclosure



Options

Mixing Vessel with Steel Hoop, for Use with Power-Sprays Lifting Equipment

Available for floor mounted and bucket trolley mixer variants

Allows a full mix of GRC to be transported and dispensed directly into a mould or spray station

Can be used with Power-Sprays' pneumatic, crane-mounted and forklift-mounted bucket lifts



Digital Water Meter

Automatically dispenses the required quantity of water directly into the mixer

One pre-set quantity, plus manual 'jog' function

Can be integrated into the mixer control panel, or ordered as a standalone module



Other Variants

Floor Mounted Version

Only recommended if the bucket trolley is not required, e.g. because a bucket lift is being used instead



Tilting Drum Version

Mounted on a raised platform; the mix can be poured directly into a spray station or mould, reducing the need for manual handling



GRC125 Combination Mixer

POWER-SPRAYS

The GRC 125 Combination mixer is the first mixer that can produce spray grade GRC slurry and also premix GRC without compromise. The unit has a generous 65 litres capacity, which easily accommodates 125kg of material i.e. a mix based on 50kg of cement and 50kg of sand. It works equally well with a mix based on a 25kg bag of cement.

The mixer is supplied with a variable speed drive via a frequency inverter. This gives a fully variable speed 0-1400RPM (see specifications). The revolutionary design of the mixing blade allows both high-shear mixing of the sand/cement slurry at fast speed and blending of the fibre at slow speed.

The dry materials loading chute and sealed lid dramatically reduce the amount of dust normally associated with mixing.

The mixer is supplied with 2 removable plastic mixing vessels so different coloured mixes can be produced with the minimum of cleaning.

Specifications

Weight	Bucket Trolley Version	310kg
	Tilting Drum Version	570kg
Dimensions	Bucket Trolley Version	125cm wide x 150cm deep x 185cm high (220cm with lid raised)
	Tilting Drum Version	160cm wide x 160cm deep x 305cm high (350cm with lid raised)
Mix Capacity	65L (125kg sand/cement slurry)	
Mixer Speed	0-1430RPM (50Hz supply) 0-1720RPM (60Hz supply)	
Electric Motor	9.2kW, IP55 rated (hose proof)	
Electrical Supply	380/415V 3-phase 50Hz/60Hz standard* Units can be built to suit other 3-phase electricity supplies	
Mixer Blade	Proprietary helical design	
Air Requirement	3.5L per lift at 7bar (100psi)	
Air Inlet	Ø 3/4" (19mm) hose tail (airline not included)	

* Generator Supplies: If the electricity supply is from a generator, please consult Power-Sprays, as additional protection may be required.

Why Buy from Power-Sprays?

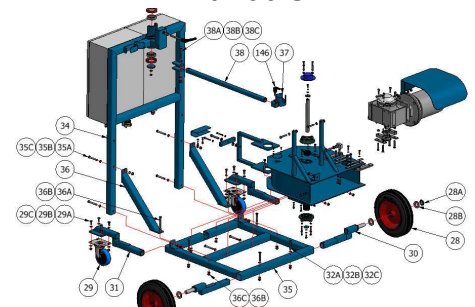
Support



Experience



Comprehensive Technical Manuals



Power-Sprays Ltd

Avonmouth Way, Bristol, BS11 9YA, UK

Tel: +44 (0)117 9820067 Fax: +44 (0)117 9820060

Email: info@power-sprays.co.uk Web: www.power-sprays.com

