

GRC125-S

Combination Mixer



POWER-SPRAYS

GRC125-S Combination Mixer

POWER-SPRAYS

The new GRC 125S Combi Mixer is the latest in a long-distinguished history of specialist mixers for Glass fibre Reinforced Concrete (GRC) production from Power-Sprays.

The GRC 125S Combi Mixer utilises a unique mixing system researched and developed by Power-Sprays engineers which facilitates high quality mixing for both spray and premix types of Glass Fibre Reinforced Concrete. In addition, the design of the mixer has acknowledged customer requirements for easy cleaning and maintenance.

Specifications

Variable speed mixing 0-1400rpm

Powerful 11.2kW 3-phase electric motor

Flexible capacity, approximately 60-125kg (130-260lbs)

Suitable for preparation of high-quality premix GRC mixes for both cast and spray premix

High shear slurry mixing enables the preparation of high-quality mixes for traditional sprayed GRC

Pneumatic bottom discharge (direct into spray machine when used)

Pneumatic lift/lower mechanism (for motor and mixer lid) for easy cleaning and maintenance

All mixers are supplied mounted on a steel support structures. Platform extensions, access stairs and guardrails together with other accessories can also be provided.

Accessories

Variable speed mixing 0-1400rpm

Powerful 11.2kW 3-phase electric motor

Flexible capacity, approximately 60-125kg (130-260lbs)

Suitable for preparation of high-quality premix GRC mixes for both cast and spray premix

Further details are available. Please contact Power-Sprays or your local distributor. The system shown overleaf includes the optional accessories of the platform extensions, access stairs, guard rails, volumetric water dispenser (including the HP Water Wash system), two admixture dispensers and the polymer dispenser.

If electrical supply is from a generator, please consult Power-Sprays as additional protection may be required.

Why Buy from Power-Sprays?

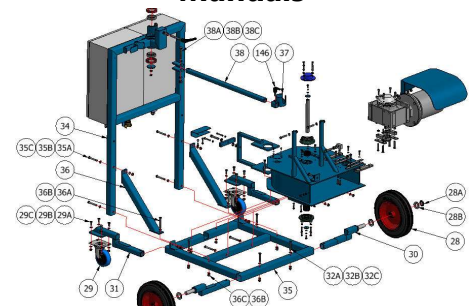
Support



Experience



Comprehensive Technical Manuals



Power-Sprays Ltd

Avonmouth Way, Bristol, BS11 9YA, UK

Tel: +44 (0)117 9820067 Fax: +44 (0)117 9820060

Email: info@power-sprays.co.uk Web: www.power-sprays.com

