

GRC250S

Combination Mixer



POWER-SPRAYS

The GRC250S Combination Mixer is the latest addition to the range of specialist mixers for Glassfibre Reinforced Concrete (GRC). Based on the successful but smaller GRC125S, the GRC250S is ideal for manufacturers who require batches of Premix GRC up to 250kg (550 lbs), and can be used for mixing both slurry for hand-spray GRC, as well as premix GRC.

Key features include:

- Suitable for the preparation of high quality GRC mixes for Vibration Cast, Self Compacting and Spray Premix production systems.
- High Shear slurry mixing enables the preparation of high quality mixes for traditional "Sprayed" GRC
- Pneumatic Bottom discharge valve with vibration for speedy discharge
- Pneumatic lift/lower mechanism (for motor and mixer cover) for easy cleaning and maintenance

The GRC250S mixer is supplied mounted on a steel support structure. Platform extensions, access stairs and guard rails together with other accessories can also be provided to customer requirements.

For example:

- Automated Water, Admixture and Polymer dispensers (incorporating the Power-Sprays "HP water wash" system)
- Automatic and Semi-Automatic Dry materials weighing/batching systems
- Automated Glass fibre choppers and dispensers

Specifications

Dimensions	170cm x 173cm x 361cm high (to top of motor when raised)
Access Under Platform	130cm x 89cm
Maximum Drum Capacity	200L
Discharge Diameter	20cm
Discharge Height	90cm
Motor	15kW, variable speed controlled by frequency inverter
Electrical Supply	380/415V, 50Hz (alternatives available)
Air Supply	6 Litres per lift, 7bar (100psi)

Why Buy from Power-Sprays?

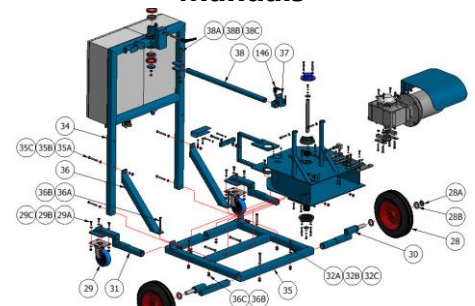
Support



Experience



Comprehensive Technical Manuals



Power-Sprays Ltd

Avonmouth Way, Bristol, BS11 9YA, UK

Tel: +44 (0)117 9820067 Fax: +44 (0)117 9820060

Email: info@power-sprays.co.uk Web: www.power-sprays.com

