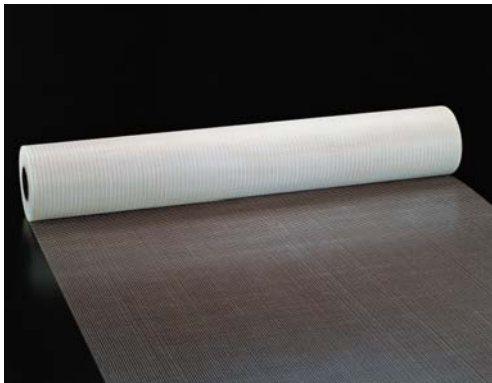


NEG ARG FIBRE

NET

TD 10×10



TD 10×10 is made of glass fibre, which contains the largest content of ZrO₂ commercially available.

TD 10×10 is a scrim for the use of reinforcement of mortar and concrete.

■ Product Specifications

Type of Glass ——— Alkali Resistant glass
Weight (g/m²) ——— 80
Width (mm) ——— 1050
Tensile strength (N/25 mm) — more than 200

■ Products Using NEG ARG Fibre TD 10×10 Include:

For Architecture

Exterior panels, plastering, etc.

■ Process

Plastering

■ Applications

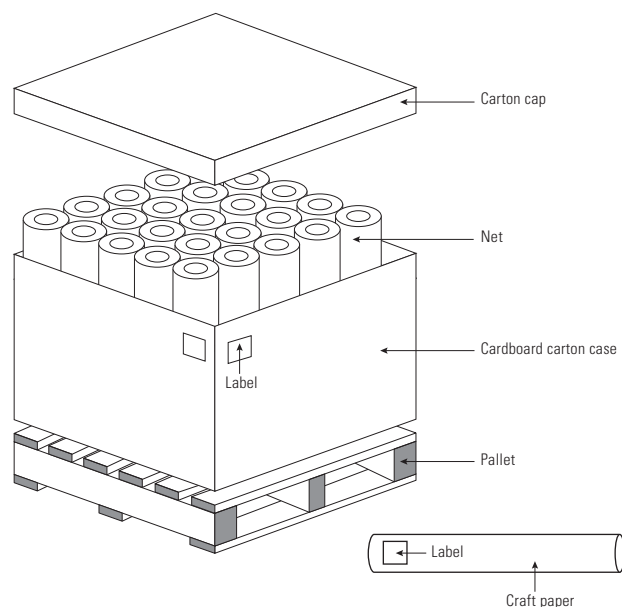
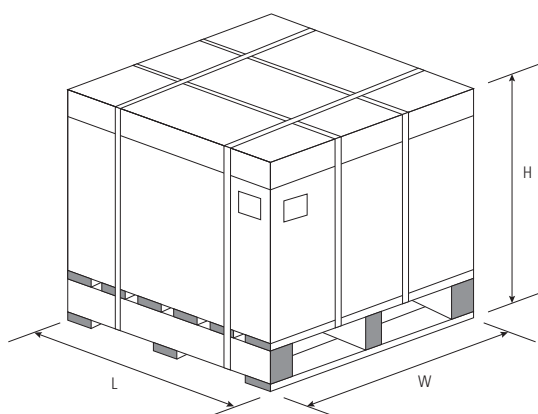
Mortar for plastering

■ Packaging Data

Length of roll — 100 m

■ Palletizing Data

Number of packages/pallet	36
Pallet Dimensions (mm)	
Length (L)	1140
Width (W)	1140
Height (H)	1176



■ Storage Conditions

TD 10×10 should be stored in an upright position in a dry area in its original packaging.
 TD 10×10 should be sheltered from the direct sunlight.

* NEG reserves the right to change the features and specifications of its products without prior notice