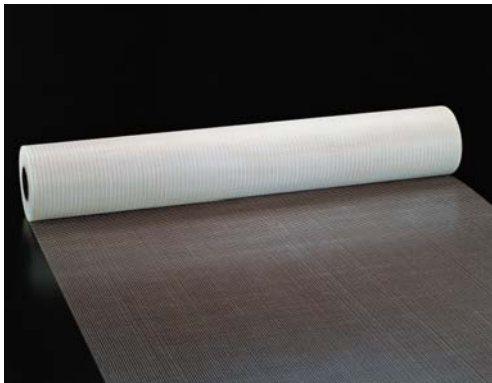


NEG ARG FIBRE

NET

TD 5×5 (50B)



TD 5×5 is made of glass fibre, which contains the largest content of ZrO_2 commercially available.

TD 5×5 is a scrim for the use of reinforcement of mortar and concrete.

■ Product Specifications

Type of Glass ——— Alkali Resistant glass
Weight (g/m²) ——— 150
Width (mm) ——— 1000
Tensile strength (N/25 mm) — more than 500

■ Products Using NEG ARG Fibre TD 5×5 Include:

For Architecture

Exterior panels, plastering, etc.

■ Process

Plastering

■ Applications

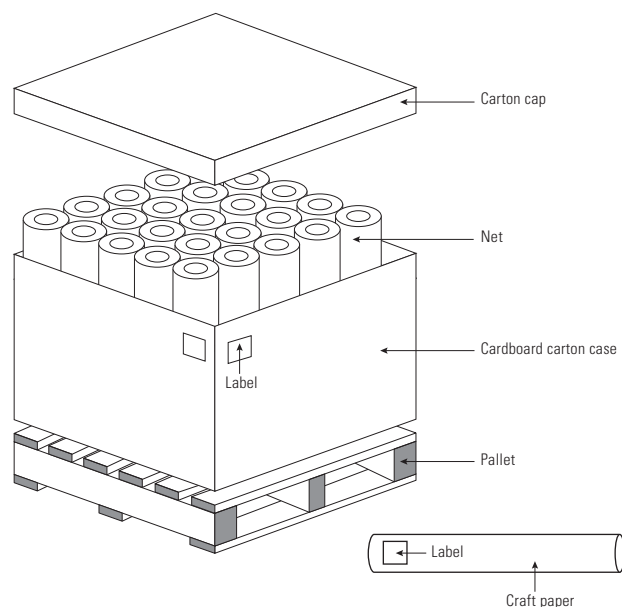
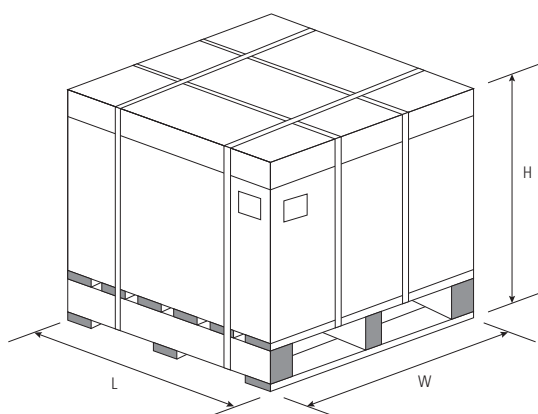
Mortar for plastering

■ Packaging Data

Length of roll — 50 m

■ Palletizing Data

Number of packages/pallet	50
Pallet Dimensions (mm)	
Length (L)	1140
Width (W)	1140
Height (H)	1176



■ Storage Conditions

TD 5×5 should be stored in an upright position in a dry area in its original packaging.
TD 5×5 should be sheltered from the direct sunlight.

* NEG reserves the right to change the features and specifications of its products without prior notice